

PGL-1 | Separation block for GLA-1 side guides

Technopolymer, stainless steel



- 1
- 2
- 3
- 4
- 5
- 6
- 7
- 8
- 9
- 10
- 11
- 12
- 13
- 14
- 15
- RH

MATERIAL

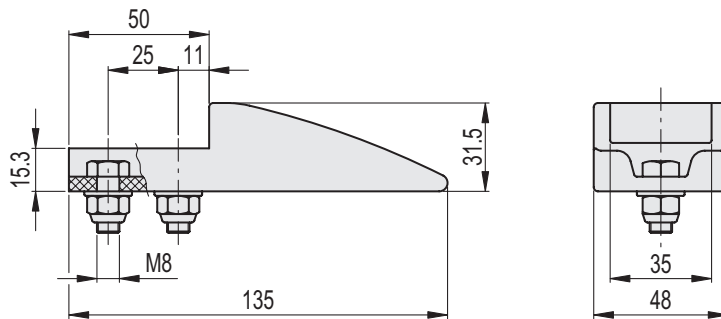
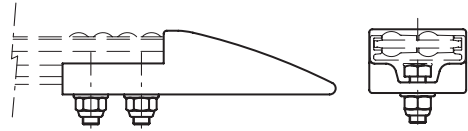
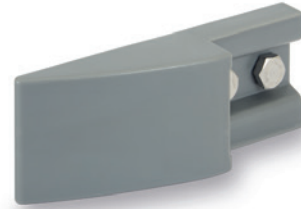
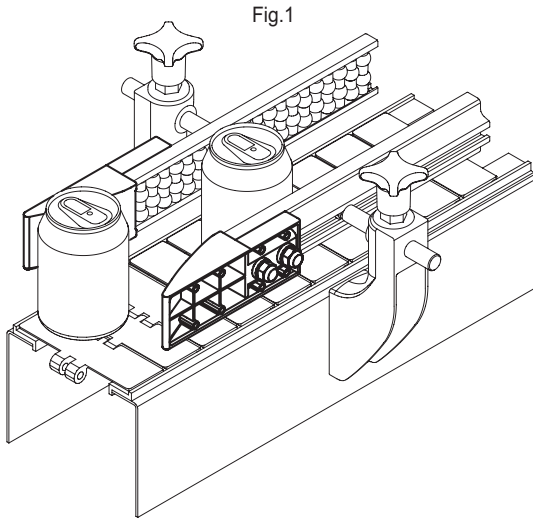
Polyethylene based (PE) technopolymer, grey colour.

SCREWS AND NUTS WITH THREAD LOCK

AISI 304 stainless steel

FEATURES AND APPLICATIONS

PGL-1 separation block is used at the ends of GLA-1 side guides (Fig.1).



Code	Description	⚖️
419145	PGL-1-48-135	80